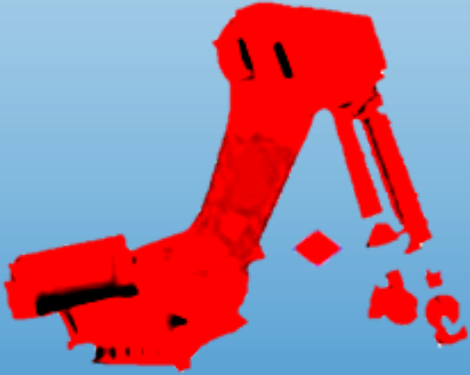


ROBOTIC AND ENGINEERING SOLUTION



AUTOMETRIX

Address :- J-131 Bhosari MIDC , Pune-411026

Contact No. :- 7218360815,7385119985

Email :- autometrix.robainfo@gmail.com

www.autometrixrobotic.com



Services

Robot Programming

- Robot programming and teaching (**FANUC, ABB, KUKA, Yaskawa , Panasonic and Nachi**)

PLC programmomg

- **PLC** (SIEMENS, MITSUBISHI, A.B., DELTA AND OTHERS AS PER CUSTOMER PREFERENCE
- **HMI** INTEGRATION

Mechanical Designing

- TOOL DESIGN (ROBOT END OF ARM TOOLING) AND MFG.
- JIG/FIXTURE DESIGN AND MFG.
- SPM DESIGN AND MFG.
- DETAILING OF ANY DESIGN ROBOTIC CELL LAYOUT DEVELOPMENT FROM SCRATCH
- MATERIAL HANDLING SYSTEMS
- AUTOMATIC ASSEMBLY MACHINES
- MICRO LEAK TESTING MACHINES
- TEST RIGS

Simulation

- ROBOT SIMULATION ,CYCLE TIME OPTIMIZATION, TOOL VALIDATION SIMULATION ASSESSMENT GENERATION OF OLP(OFFLINE PROGRAMMING) USING RRS OR NATIVE ROBOT OEM 'S SOFTWARE
- **ASSEMBLY SIMULATION** WITH VALID KINEMATIC DEFINITION AND PROCESS FLOW CHART, CYCLE TIME ANALYSIS
- **ERGONOMICSIMULATION**,SIMULATION ANALYSIS USING RULA AND REBA
- **PRODUCTION SYSTEM SIMULATION**, PROCESS FLOW VALIDATION,CYCLE TIME AND THROUGHPUT ANALYSIS

Controls

- PLC
- HMI/MMI ,TEXT PANELS
- VFD (AC DRIVES/INVERTERS)
- SERVO MOTORS, SERVO DRIVES
- STEPPER MOTORS, STEPPER DRIVES
- SENSORS, ENCODERS
- SCADA
- PID CONTROLLERS, TEMP. CONTROLLERS
- SMPS
- CONTROL PANELS
- ANALOG TO DIGITAL CONVERTORS
- TEMPERATURE AND PRESSURE ADAPTERS FOR SERIAL AND DIGITAL COMMUNICATION
- MICROPROCESSOR BASED LOGIC LEVEL CONTROLS
- GAS LEAK SENSOR WITH ADAPTER
- MACHINE RETRO -FITTING, UPGRADATION OF CONVENTIONAL MACHINES TO CNC CONTROLLED MACHINES

Our Products



10' Inch Dip-Spin Machine



12' Inch Dip-Spin Machine



SPM Welding



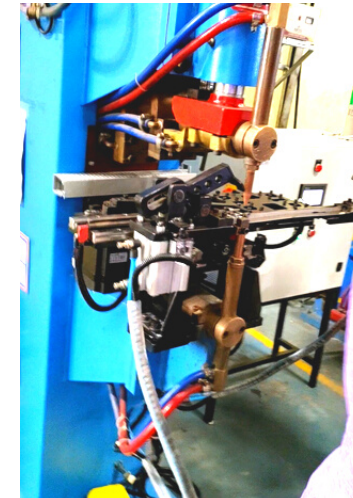
16' Inch Dip-Spin Machine



Jig and Fixture



Refurbished Robot



Spot welding



SPM Press



Robot Services



MIG Welding Robot



Gluing Robot JBM suspension line



Spot Welding



Mig Welding



Hamming



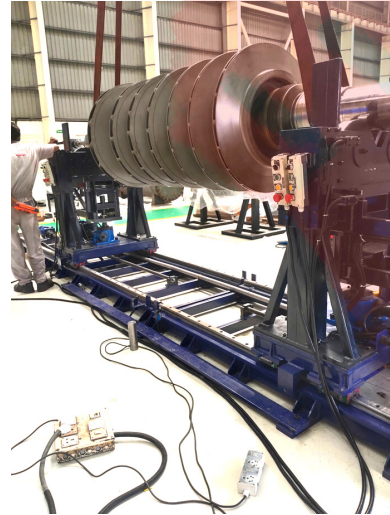
Battery Burning



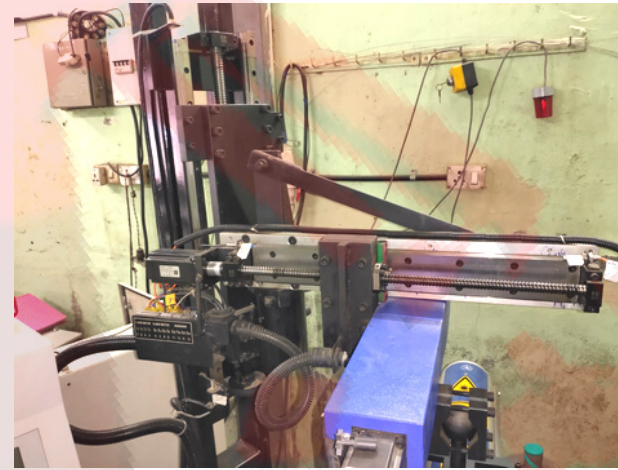
Laser Tables



Laser Welding Table



**Laser Welding Rotary Table
(Capacity 20 Ton)**



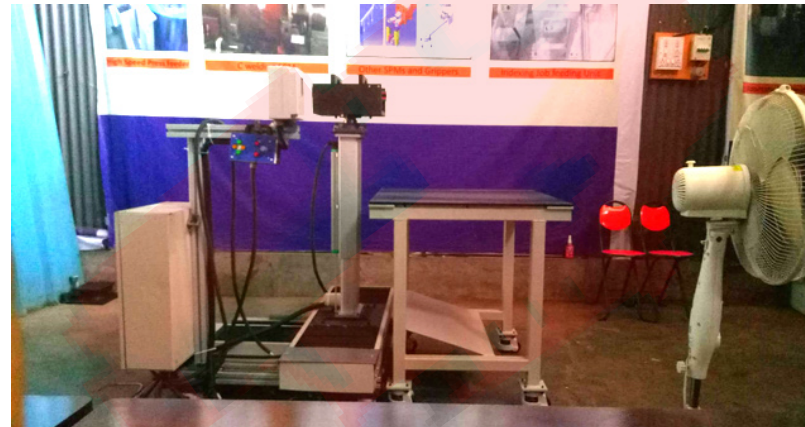
Laser Welding Table



Laser Welding Table

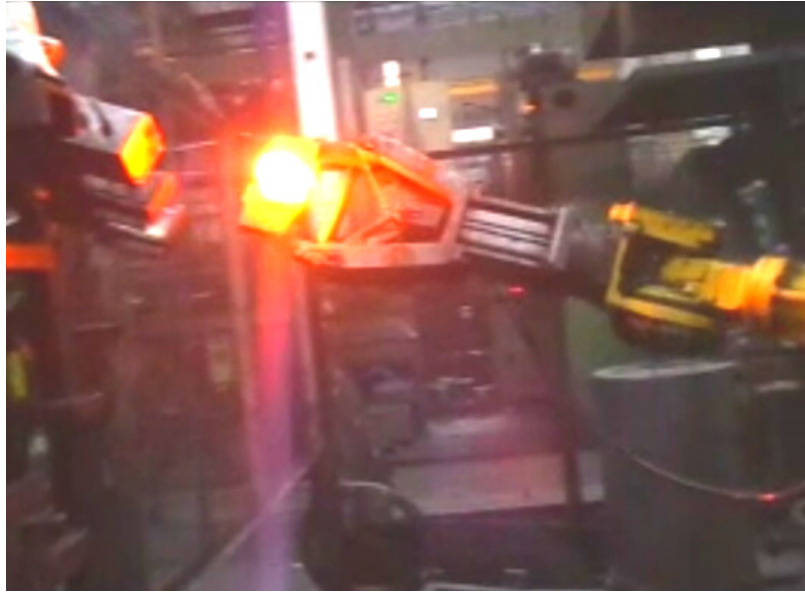


Laser welding LM Track



Laser Table With Laser Machine

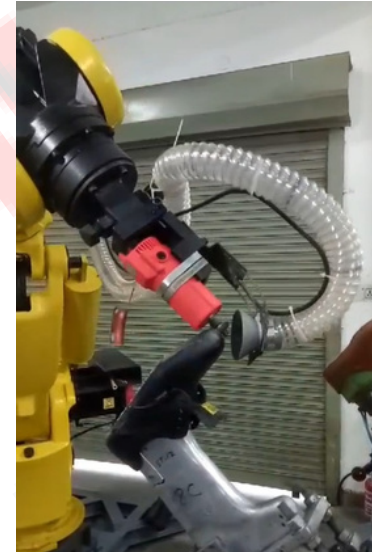
End of Arm Tooling



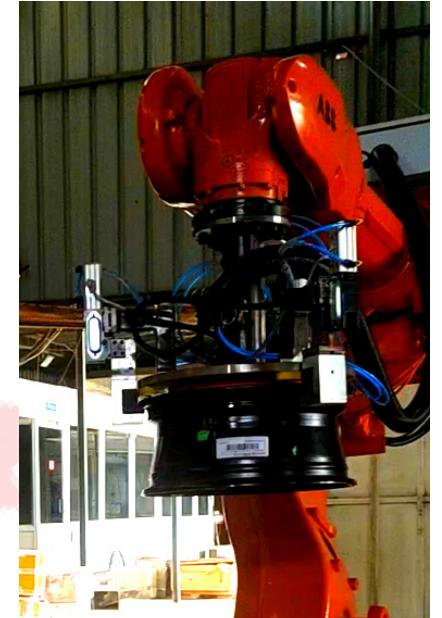
Forging Gripper



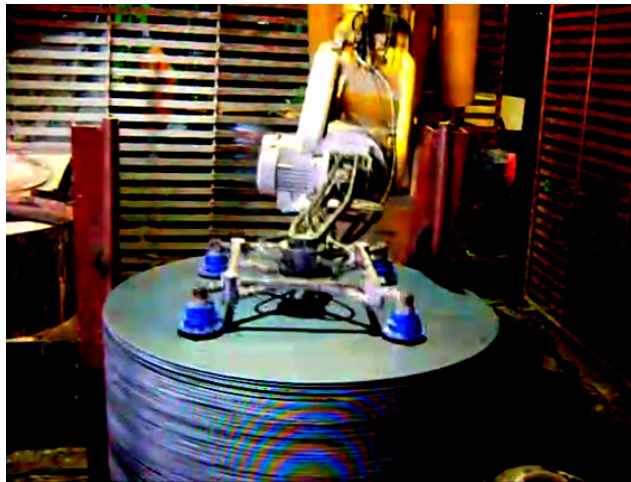
Lead wire Feeder



Shoe Roughing Tool



Wheel Gripper



Sheet Metal Gripper



Sheet Metal Gripper



Pick & Place Gripper



Wheel Gripper



Our Services

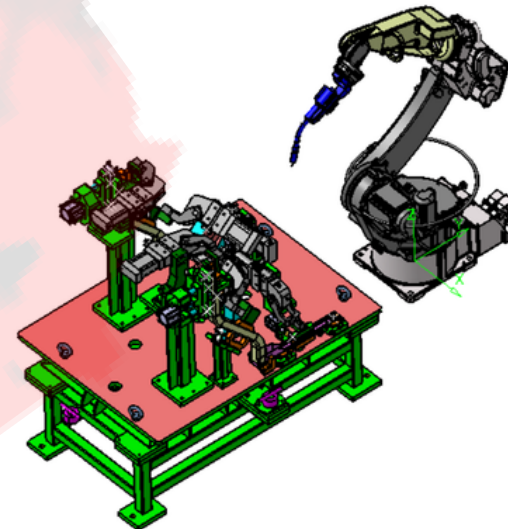
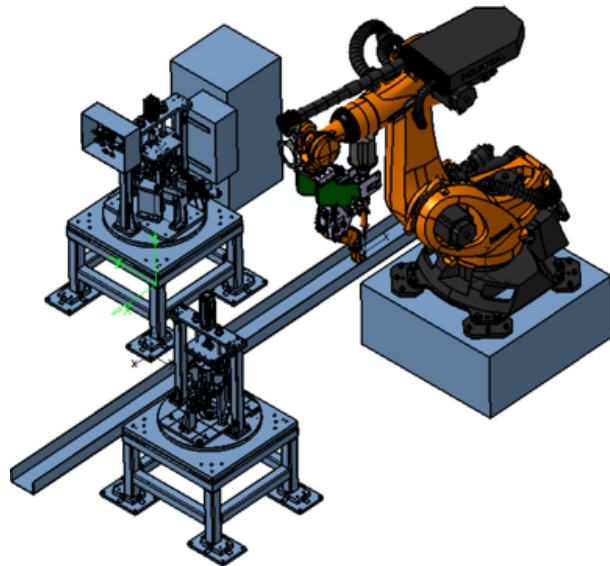
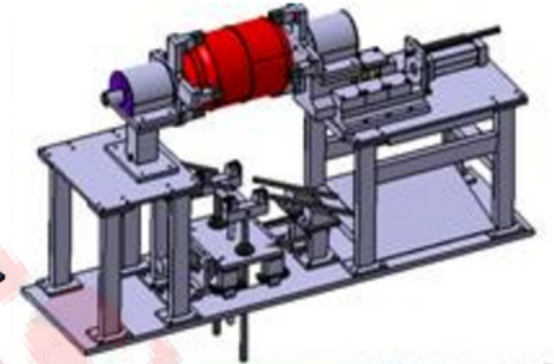
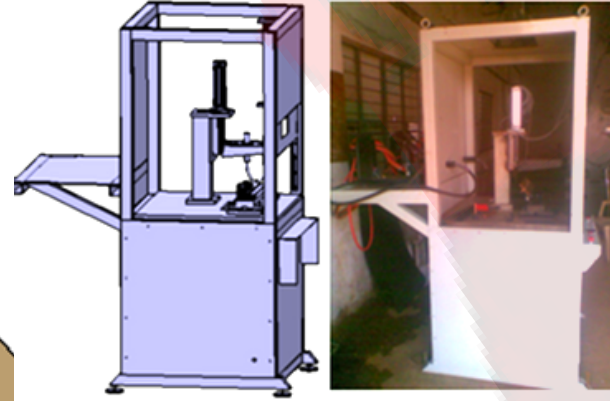
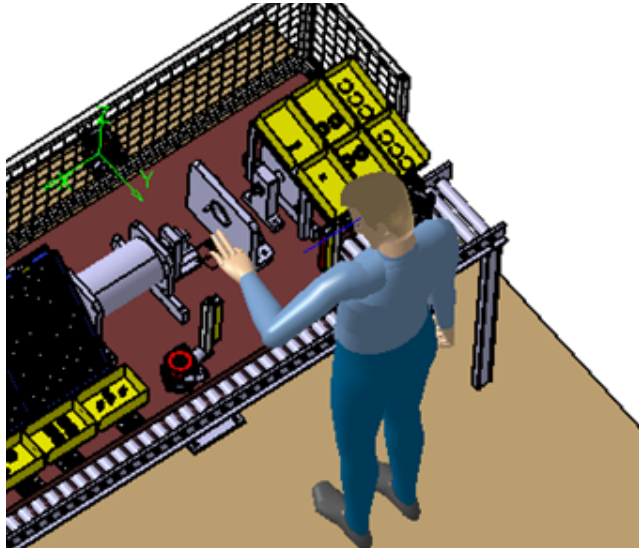
Applications

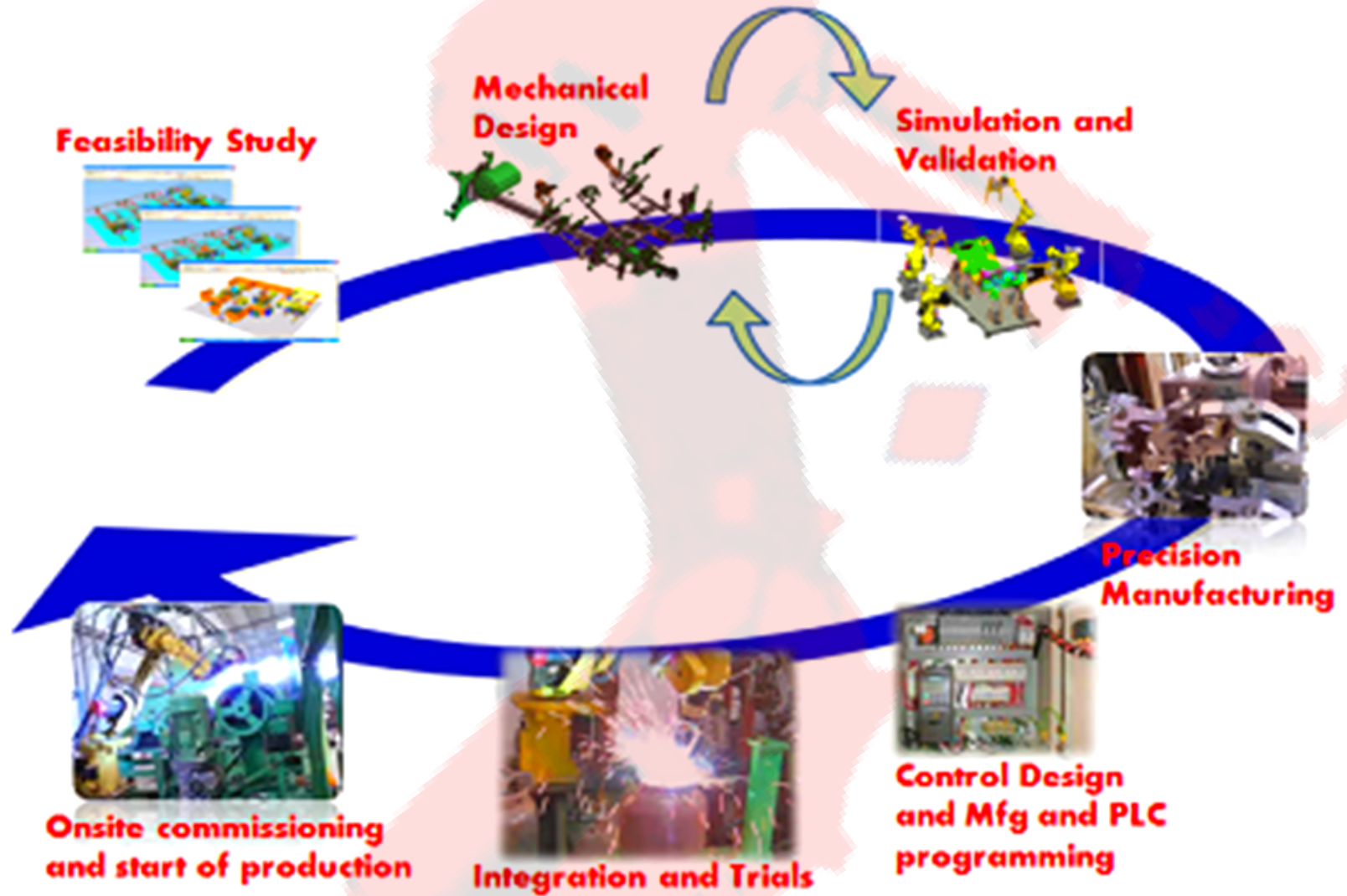


- Robotic MIG Welding
- Robotic Pick & Place
- Robotic Gluing
- Robotic Hammering
- Forging press Feeding
- Laser Welding
- Laser cutting
- Laser cleaning
- Vision Assisted Robot
- Programming



Mechanical Designing And Simulation







Our Precious Customers

